

Gooseneck Quick Start Guide

A150·A350

Qty 1 * Gooseneck Base



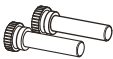
Qty 2 * Plastic Screw



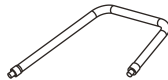
Qty 1 * Plastic Stepper



Qty 2 * Thumb Screw



Qty 1 * Gooseneck



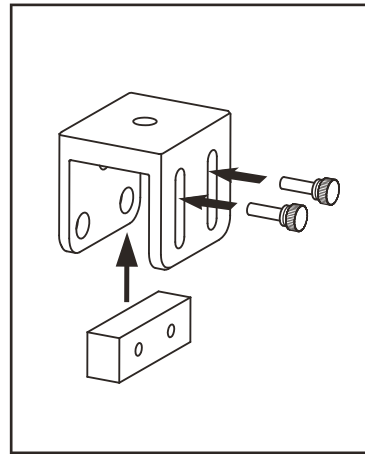
Qty 1 * A150 Bracket



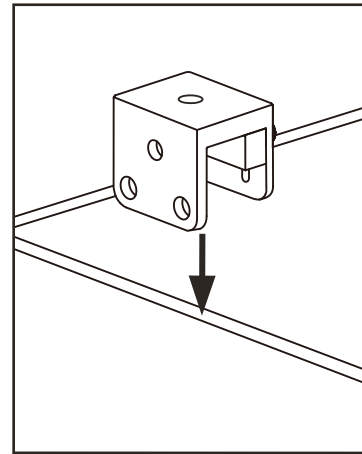
Qty 1 * A350 Bracket



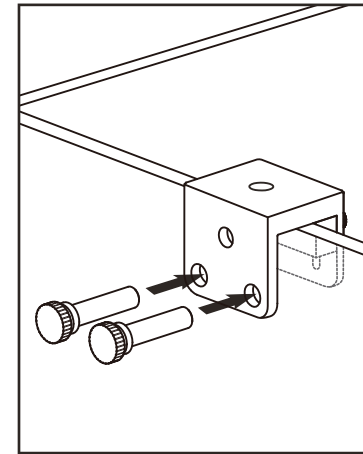
(A) Gooseneck base attachment instructions



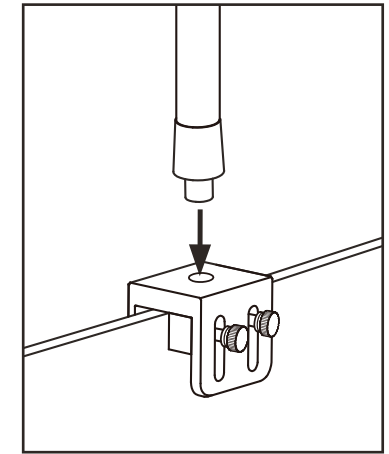
A1. Insert plastic stepper into gooseneck base and secure with plastic screws



A2. Place gooseneck base onto aquarium.

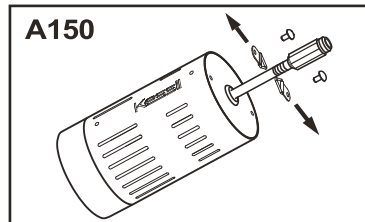


A3. Screw thumb screw onto gooseneck base to secure base to aquarium

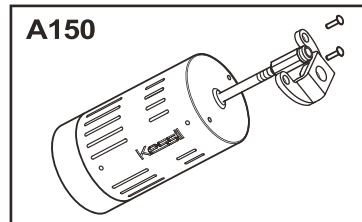


A4. Screw gooseneck into the gooseneck base

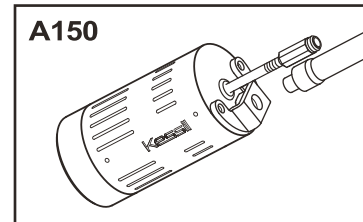
(B) Unit attachment instructions



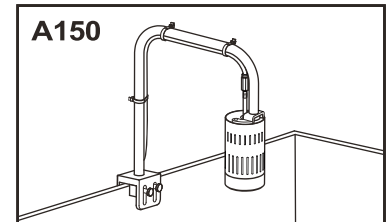
B1. Remove triangle hooks and reserve screws for step B2



B2. Secure designated bracket to unit with screws from step B1



B3. Screw gooseneck to attached bracket



B4. Connect power supply and adjust gooseneck

