



SkimMate
GHOST SERIES

DeskTop, MidSize & FullSize

AVUQA · GADGET

Owner's Manual

TABLE OF CONTENTS

Important Safety Instructions	3-4
Parts—Exploded View & Identification	
SkimMate DeskTop	5
SkimMate MidSize	6
SkimMate FullSize	7
Introduction	
SkimMate DeskTop	8-9
SkimMate MidSize	10-11
SkimMate FullSize	12-13
Getting Started	
Get To Know Your Skimmer	14
How Your Protein Skimmer Works	15-18
Setting Water Level	19
Maintenance	
Cleaning the Collection Cup	20
Cleaning / Removing Pump	21
Removing Needle Wheel Impeller	22
Frequently Asked Questions	22-23
Warranty Information	24
Owner’s Product Information	25

WARNING

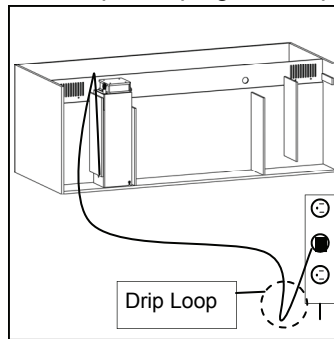
To guard against injury, basic safety precautions should be observed including the following:

READ ALL SAFETY INSTRUCTIONS BEFORE USE.

To avoid electric shock, special care should be taken since water is employed in the use of aquarium equipment. For each of the following situations, do not attempt to repair yourself. Return the appliance to an authorized service facility for service or discard the appliance.

- If the appliance falls into water, DO NOT reach for it! First unplug it and then retrieve it. If the electrical components of the appliance get wet, unplug the appliance immediately.
- Carefully examine the appliance after installation. It should not be plugged in if there is water on parts not intended to be wet.
- Do not operate any appliance if it has a damaged cord or plug, or if it is malfunctioning or if it is dropped or damaged in any manner.

- To avoid the possibility of the appliance plug or receptacle getting wet, position aquarium to one side of a wall mounted receptacle to prevent water from dripping onto the receptacle plug. A "Drip Loop" should be arranged by the user for EACH cord connecting an aquarium appliance to a receptacle. The "Drip Loop" is that part of the cord below the level of the receptacle or the connector if an extension cord is used. This "Drip Loop" prevents water travelling along the cord and coming in contact with the receptacle. If the plug or the receptacle do get wet DO NOT unplug the cord. Disconnect the fuse to the circuit breaker that supplies power to the appliance. Then unplug and examine for the presence of water in the receptacle.



- Close supervision is necessary when any appliance is used by or near children.
- To avoid injury, do not contact moving parts or hot parts such as heaters, reflectors, lamps bulbs and etc.
- Always unplug an appliance from the outlet when not in use, before putting on or taking off parts, and before cleaning. Never yank the cord to pull plug from outlet. Grasp the plug and pull to disconnect.

IMPORTANT SAFETY INSTRUCTIONS

- Do not use an appliance for other than intended use. The use of attachments not recommended or sold by the appliance manufacturer may cause an unsafe condition.
- Do not install or store the appliance where it will be exposed to the weather or to temperatures below freezing.
- Make sure an appliance mounted on a tank is securely installed before operating it.
- Read and observe all the important notices on the appliance.
- This appliance has a polarized plug (one blade is wider than the other). As a safety feature, this plug will fit in a polarized outlet only one way. If the plug does not fit fully in the outlet, reverse the plug. If it still does not fit, contact a qualified electrician. Never use with an extension cord unless plug can be fully inserted. Do not attempt to defeat this safety feature.
- This appliance is intended FOR HOUSEHOLD USE ONLY.
- If an extension cord is necessary, a cord with a proper rating should be used.

Unpacking and Inspection

Please inspect your new SkimMate Ghost Protein Skimmer for damages and to confirm all parts are included before installation.

Your SkimMate Ghost includes:

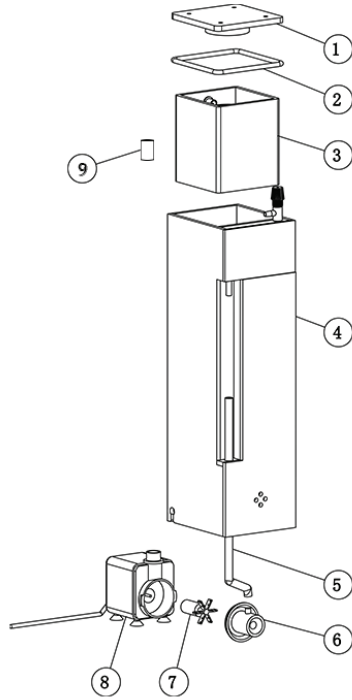
1. Skimmer Cup w/ Lid, O-Ring & Safety Drain & Cap
2. Skimmer Body
3. Venturi Air Line
4. Bubble Plate
5. Skimmer Pump

Immediately report if there is any damage or missing parts to:
warranty@innovative-marine.com

Or call 866-368-7941

SkimMate Ghost — DeskTop

Model #: 7203

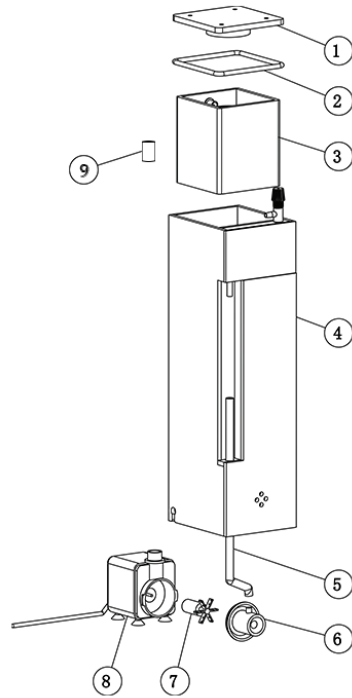


#	Description	Item Code
1	Collection Cup Lid	720301
2	Collection Cup O-Ring	720302
3	Collection Cup	720303
4	Skimmer Body	720304
5	Venturi Air Line	720305
6	Pump Cap	720013
7	Pump Impeller	720012
8	Skimmer Pump	720001
9	Safety Drain Cap	720306

**PARTS
Exploded View**

SkimMate Ghost — MidSize

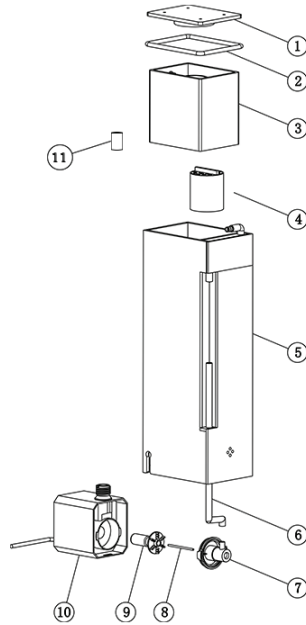
Model #: 7204



#	Description	Item Code
1	Collection Cup Lid	720401
2	Collection Cup O-Ring	720402
3	Collection Cup	720403
4	Skimmer Body	720404
5	Venturi Air Line	720405
6	Pump Cap	720013
7	Pump Impeller	720012
8	Skimmer Pump	720001
9	Safety Drain Cap	720406

SkimMate Ghost — FullSize

Model #: 7205



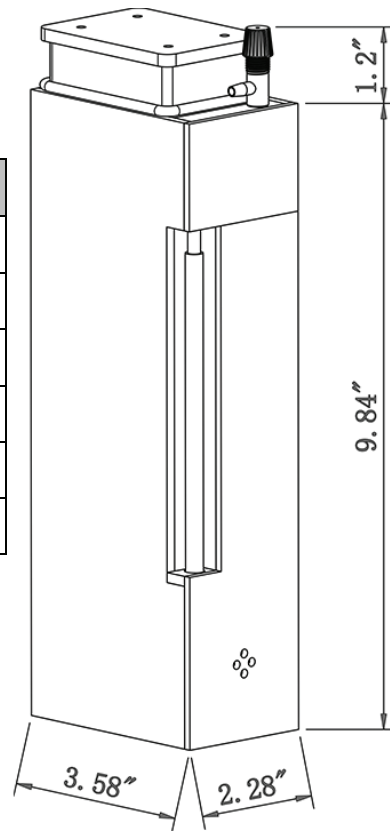
#	Description	Item Code
1	Collection Cup Lid	720500
2	Collection Cup O-Ring	720502
3	Collection Cup	720503
4	Skimmer Bubble Plate	720504
5	Skimmer Body	720505
6	Venturi Air Line	720506
7	Pump Cap	720507
8	Skimmer Impeller Shaft	720508
9	Skimmer Impeller	720509
10	Skimmer Pump	720501
11	Safety Drain Cap	720510

INTRODUCTION

Unseen. Unheard. Unrivaled Performance

Drop in, ready to skim. Completely re-engineered to push the limits of All-In-One skimmers, the SkimMate Ghost Series is packed with a plethora of performance driving features that propels organics out of your aquarium water. These user-friendly, recirculating protein skimmers are equipped with bubble plates, integrated air silencers, and needle wheel impellers, all housed in a pearl white body that embodies a fresh modern look on its' exterior and an array of performance features on its' interior.

MODEL	7203—Desktop
DIMENSIONS	3.58" x 2.28" x 9.84"
TANK CAPACITY	20 GALLON
DESIGNED FOR	Nano 16
POWER	110-120V/60HZ
PUMP WATTS	6.5 WATTS
FLOW RATE	158 GALLONS PER HOUR



SkimMate Ghost DeskTop

How to install your SkimMate Ghost into your NUVO

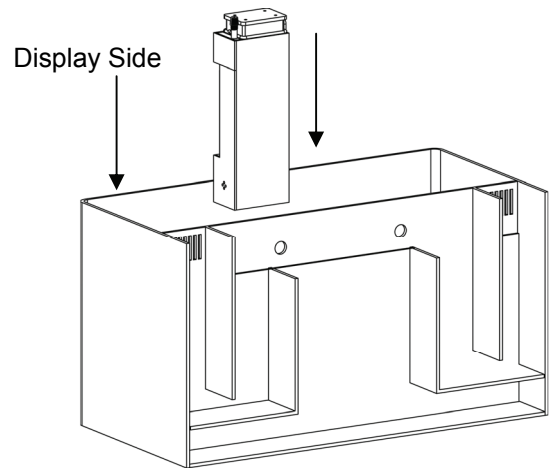


Figure 1 (Nano 16 Shown)

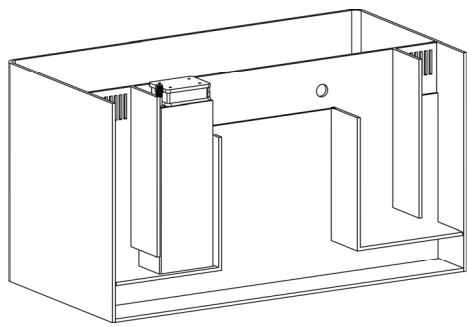


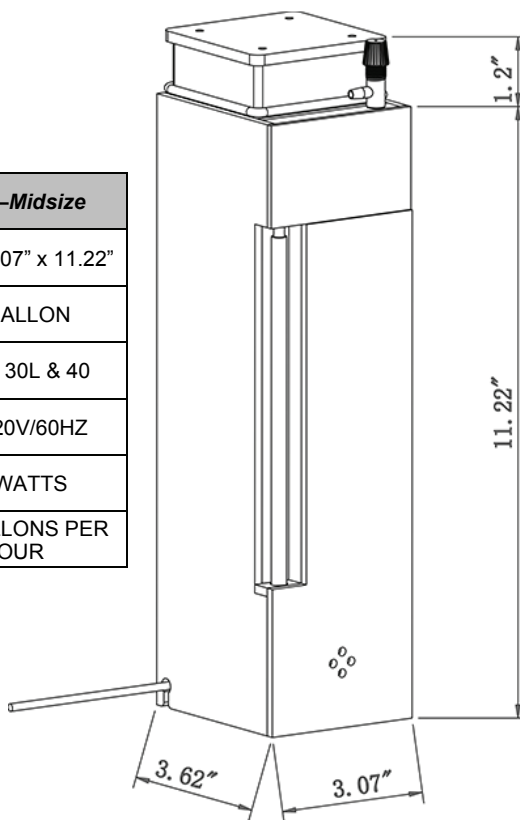
Figure 2 (Nano 16 Shown)

INTRODUCTION

Unseen. Unheard. Unrivaled Performance

Drop in, ready to skim. Completely re-engineered to push the limits of All-In-One skimmers, the SkimMate Ghost Series is packed with a plethora of performance driving features that propels organics out of your aquarium water. These user-friendly, recirculating protein skimmers are equipped with bubble plates, integrated air silencers, and needle wheel impellers, all housed in a pearl white body that embodies a fresh modern look on its' exterior and an array of performance features on its' interior.

MODEL	7204—Midsize
DIMENSIONS	3.62" x 3.07" x 11.22"
TANK CAPACITY	40 GALLON
DESIGNED FOR	Fusion 30L & 40
POWER	110-120V/60HZ
PUMP WATTS	6.5 WATTS
FLOW RATE	158 GALLONS PER HOUR



SkimMate Ghost MidSize

How to install your SkimMate Ghost into your NUVO

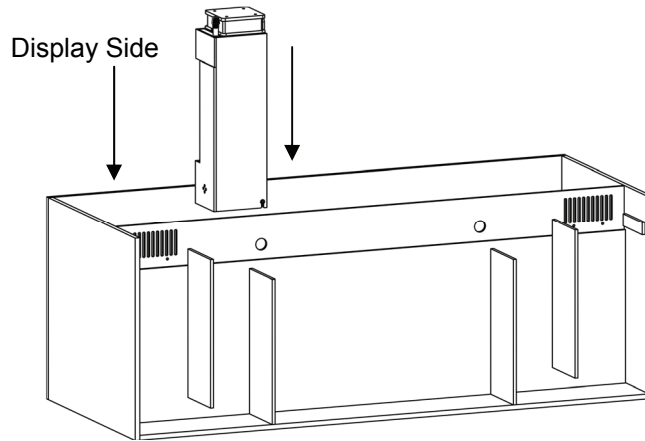


Figure 1 (Fusion Micro 30L Shown)

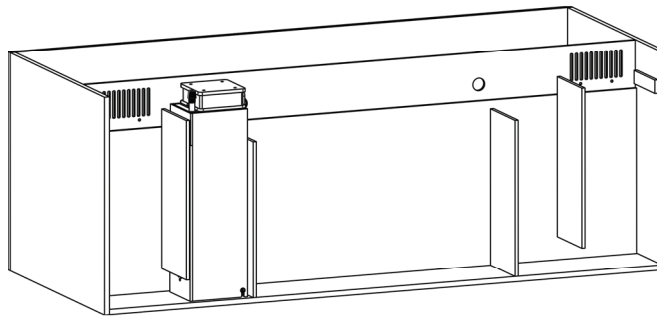


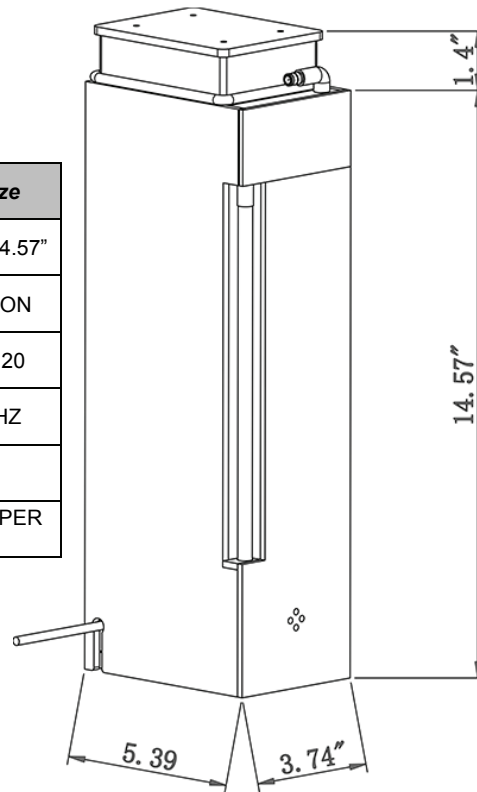
Figure 2 (Fusion Micro 30L Shown)

INTRODUCTION

Unseen. Unheard. Unrivaled Performance

Drop in, ready to skim. Completely re-engineered to push the limits of All-In-One skimmers, the SkimMate Ghost Series is packed with a plethora of performance driving features that propels organics out of your aquarium water. These user-friendly, recirculating protein skimmers are equipped with bubble plates, integrated air silencers, and needle wheel impellers, all housed in a pearl white body that embodies a fresh modern look on its' exterior and an array of performance features on its' interior.

<i>MODEL</i>	<i>7205—Fullsize</i>
<i>DIMENSIONS</i>	5.39" x 3.74" x 14.57"
<i>TANK CAPACITY</i>	60 - 120 GALLON
<i>DESIGNED FOR</i>	SR-60, 80 & 120
<i>POWER</i>	110-120V/60HZ
<i>PUMP WATTS</i>	24 WATTS
<i>FLOW RATE</i>	370 GALLONS PER HOUR



SkimMate Ghost FullSize

How to install your SkimMate Ghost into your NUVO

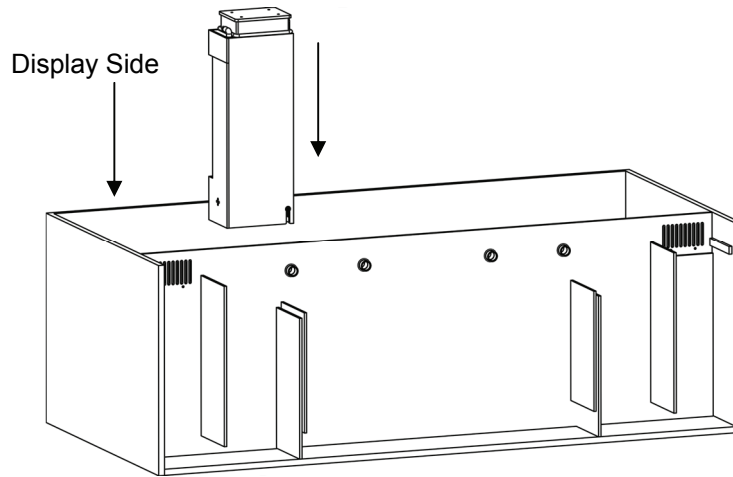


Figure 1 (SR-60 Shown)

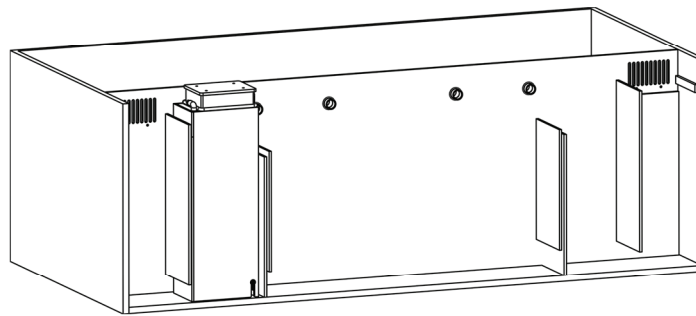
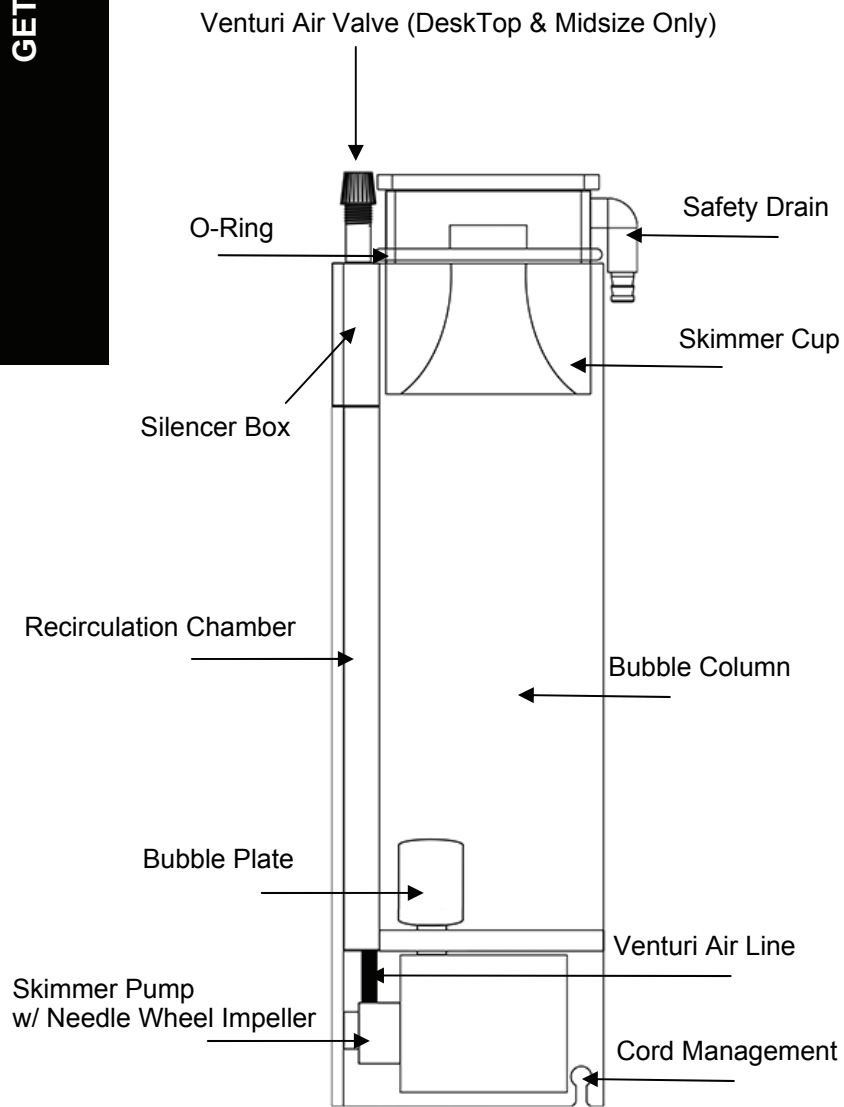


Figure 2 (SR-60 Shown)

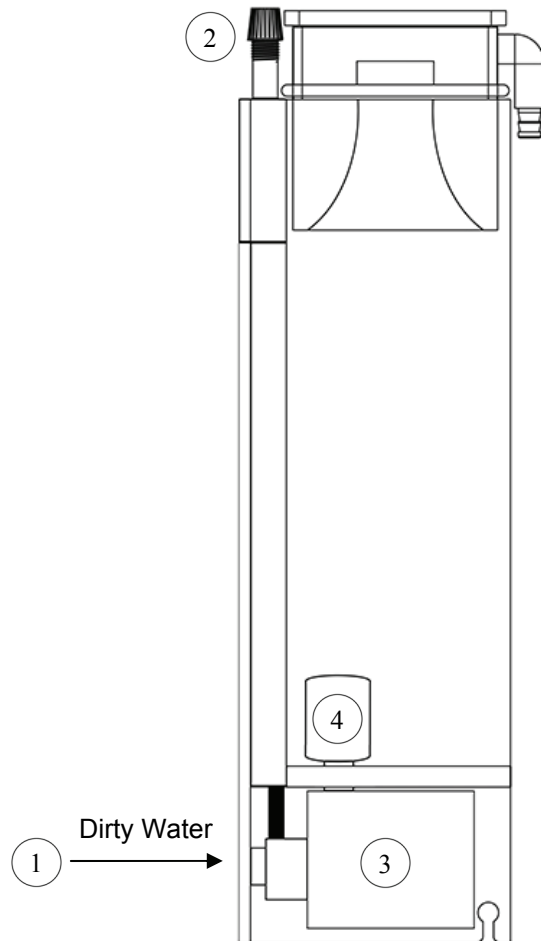
SkimMate Ghost Series

Get To Know Your Skimmer



SkimMate Ghost Series

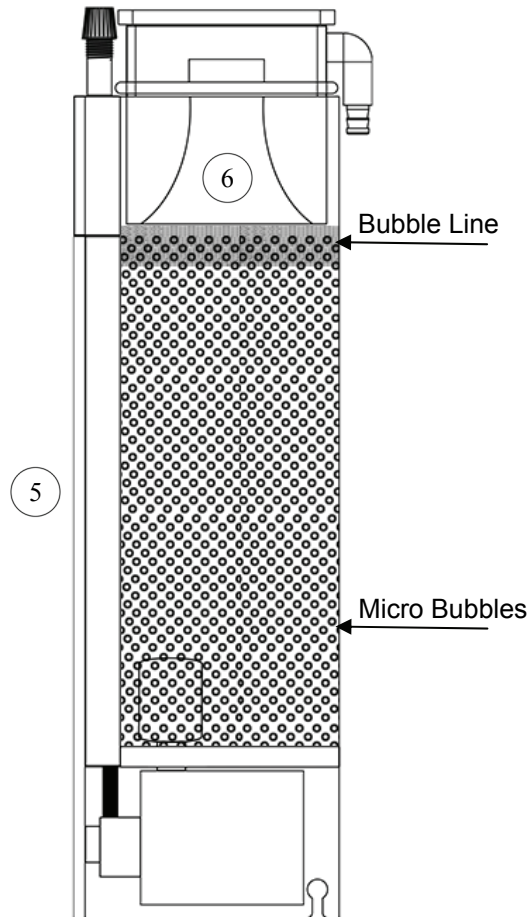
How Your Protein Skimmer Works



1. Water enters submerged water pump.
2. Venturi air valve injects air bubbles into water.
3. The skimmer's needle wheel impeller chops incoming air bubbles into smaller bubbles.
4. The bubble plate decreases turbulence to increase reaction time and helps produce better skimmate.

SkimMate Ghost Series

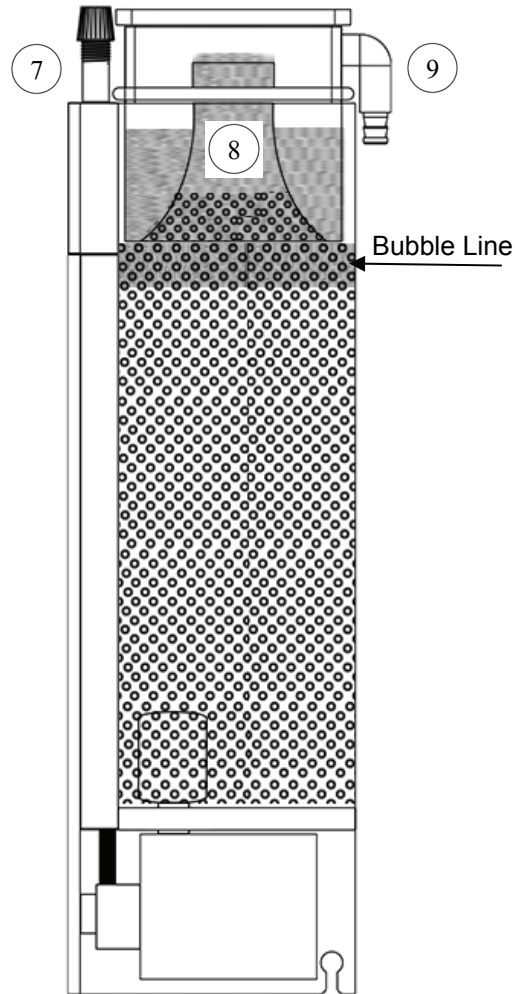
How Your Protein Skimmer Works



5. Micro bubbles bind with organics inside bubble column and begin to rise.
6. Cup neck allows foam to accumulate and reduce Turbulence.

SkimMate Ghost Series

How Your Protein Skimmer Works

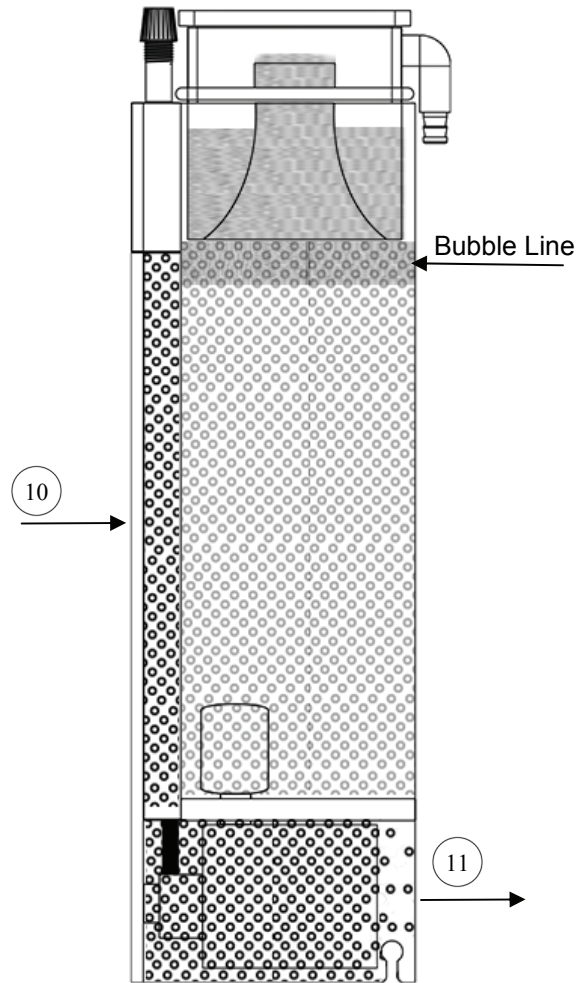


7. Venturi Air Valve allows you to set the water level within the skimmer. (DeskTop and Midsize Only)
8. The collection cup is where waste accumulates for easy removal.
9. Safety drain fitting prevents overflowing of collection Cup.

GETTING STARTED

SkimMate Ghost Series

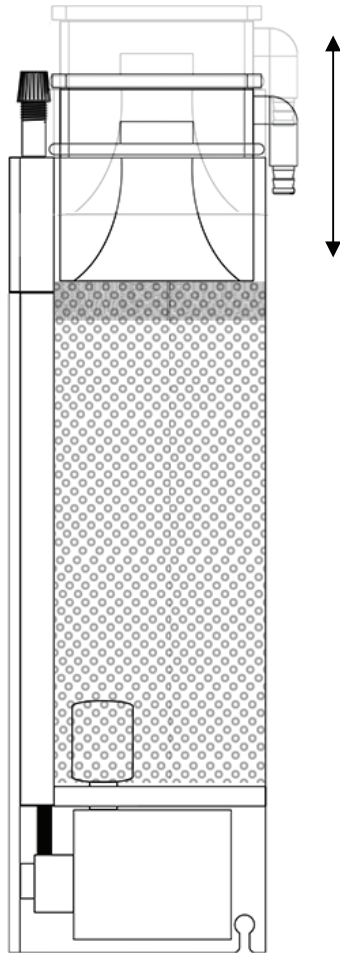
How Your Protein Skimmer Works



10. Excess micro bubbles are sucked into recirculating chamber and are reused to create a denser foam.
11. Clean water is outputted back into aquarium system.

SkimMate Ghost Series

Setting Water Level



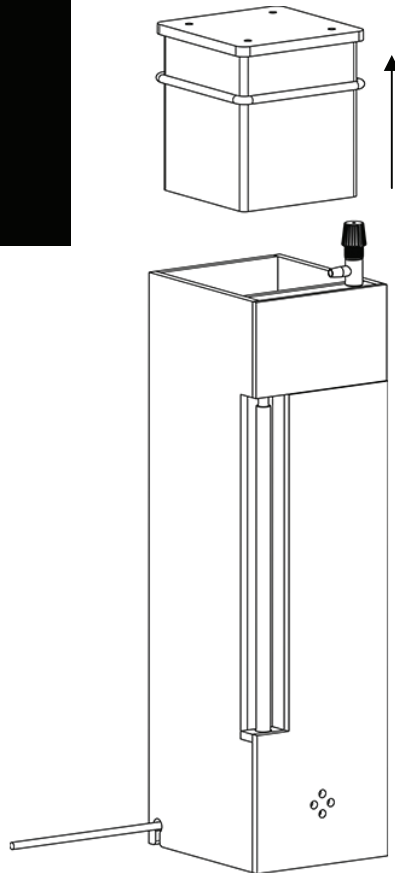
GETTING STARTED

In order for the SkimMate Ghost to run effectively we recommend that your water line be adjusted below the collection cup. This allows micro bubbles to accumulate and rise up the neck of the collection cup.

You can adjust the height of your collection cup to your desired height level by moving the collection cup up and down and setting it with the O-Ring.

Cleaning the Collection Cup

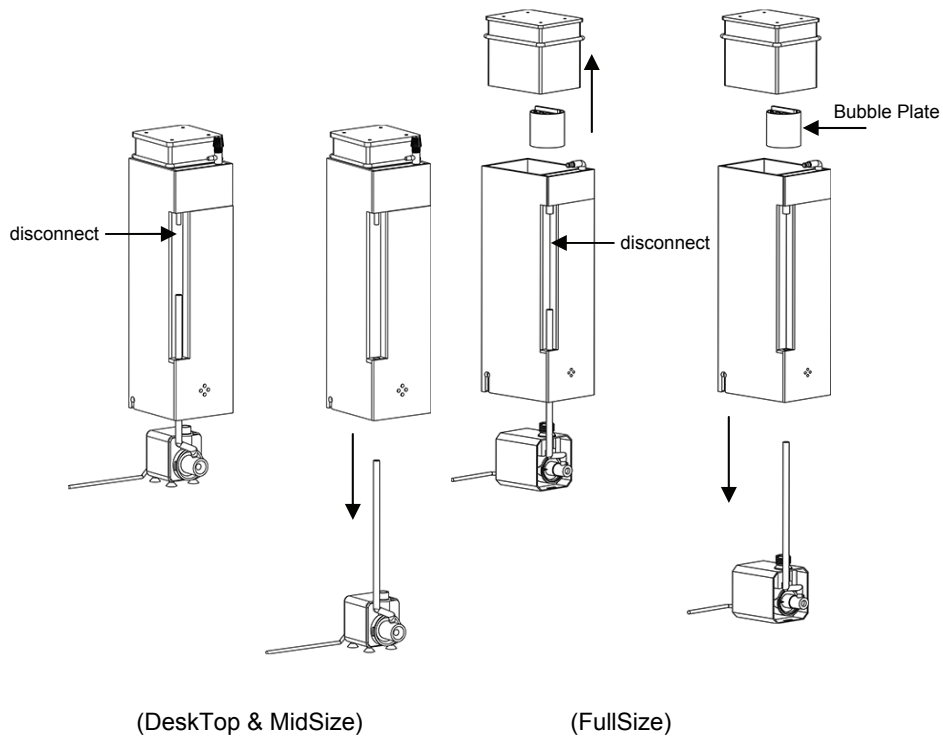
It is recommended to empty your collection cup once a week or as needed.



- Unplug your SkimMate pump from electrical outlet.
- Gently lift the collection cup upward from the skimmer body to remove cup.
- Wash out the contents of collection cup with warm water.
- Replace skimmer cup by lowering cup back into skimmer body and readjust cup height.

Cleaning / Removing Skimmer Pump

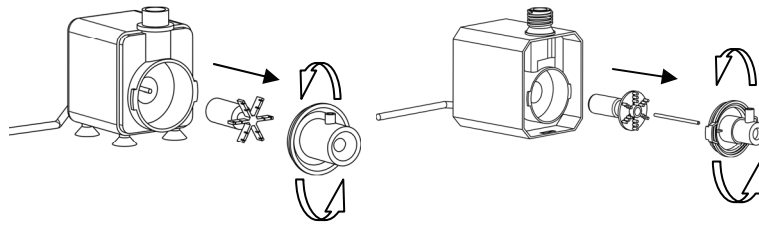
- Unplug SkimMate pump from electrical outlet before performing any maintenance.
- Remove skimmer out from designated skimmer column.
- Let water that is in the main body of skimmer drain.
- Remove Cup and disconnect pump from bubble plate. By turning bubble plate counter clockwise (FullSize Only)
- Carefully disconnect venturi airline from skimmer body.
- Remove pump



Removing Needle Wheel Impeller

- Carefully turn pump cap counter clockwise and remove to gain access to the needle wheel impeller.*
- Remove needle wheel impeller from motor.
- Remove needle wheel shaft (FullSize Only)

***CAUTION:** When removing pump cap, rotate cap counter clockwise using the edges of pump cap, **do not** rotate cap using the venturi inlet. This may cause the venturi inlet to break and will void your warranty.



(DeskTop & MidSize)

(FullSize)

FREQUENTLY ASKED QUESTIONS

What is a “Break in Period”?

Protein skimmers generally require a 7 to 14 day* “Break in Period” for peak performance. Although, you may start producing foam and light skimmate within a few days of installation our goal is to extract the darkest waste into the collection cup.

During this period, you may experience micro bubbles being released back into the aquarium. Please be patient as this will normally reside and completely stop after the “Break in Period”.

***Results may vary depending on aquarium**

How long should I wait before adding a skimmer?

You should install your SkimMate Ghost protein skimmer one month after your tank cycles.

Where do I place the SkimMate in my NUVO Aquarium?

The NUVO Aquariums are built with a designed skimmer column. For proper placement diagrams please refer to pages:

DeskTop Protein Skimmer: 8-9

MidSize Protein Skimmer: 10-11

FullSize Protein Skimmer: 12-13

Why is my collection cup overflowing?

Protein skimmers will react to changes in the water chemistry often causing excess wet foam causing the collection cup to overflow. Please use caution when adding liquid additives, excess food, and medications.

Always remember to wash your hands thoroughly, as oils and soap residue will also cause the protein skimmer to overflow.

Make sure the air valve is opened and not clogged with salt deposits. Restricted airline will cause more water to enter the skimmer main body which may also cause the protein skimmer to overflow.

Why do I hear the pump rattling?

The shaft and/or needle-wheel impeller may be damaged causing irregular spinning and leading to excess rattling. Unplug protein skimmer and check pump.

WARRANTY INFORMATION

LIMITED 1 YEAR WARRANTY

SkimMate Ghost Protein Skimmer

The **SkimMate Ghost** has a 1 YEAR limited warranty.

The **SkimMate Ghost** is warranted to the original purchaser against defective material and workmanship for 1 YEAR from the date of original purchase.

This warranty is valid only under the following conditions: additions, modifications, or changes made to the product by the purchaser and not by the manufacturer shall void this warranty. Damages brought on by abuse, misapplication, or mishandling also voids this warranty.

This warranty is limited to the repair or replacement of the product at the discretion of the manufacturer. This warranty does not cover personal injury, property loss, including live-stock or damage (direct, incidental, or consequential) arising out of use of this product. This warranty gives you specific rights and you may also have other rights, which may vary from state to state.

The Product Registration Card must be filled out completely and returned within (14) days from the date of purchase. Failure to do so will void this warranty.

A proof of purchase from an authorized dealer must be provided when making a warranty claim.

For Warranty Claims please contact our Customer Care Department.

866-368-7941 or email: warranty@innovative-marine.com

A RMA # must be issued before sending any product back to Innovative Marine. Products sent back to Innovative Marine without a RMA# will be not be accepted. Service on products will not extend the original warranty period.

PRODUCT INFORMATION

MODEL #
SkimMate Ghost SERIAL #
DATE OF PURCHASE

Please keep your receipt in a safe place to ensure you have this information.

**OWNER'S PRODUCT
INFORMATION**



WWW.INNOVATIVE-MARINE.COM

A Division of

